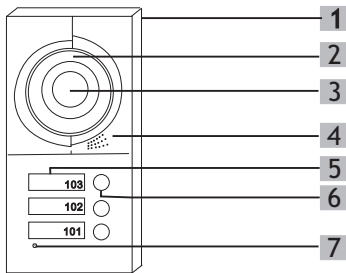


OUTDOOR PANEL(DOORBELL)

SPECIFICATIONS

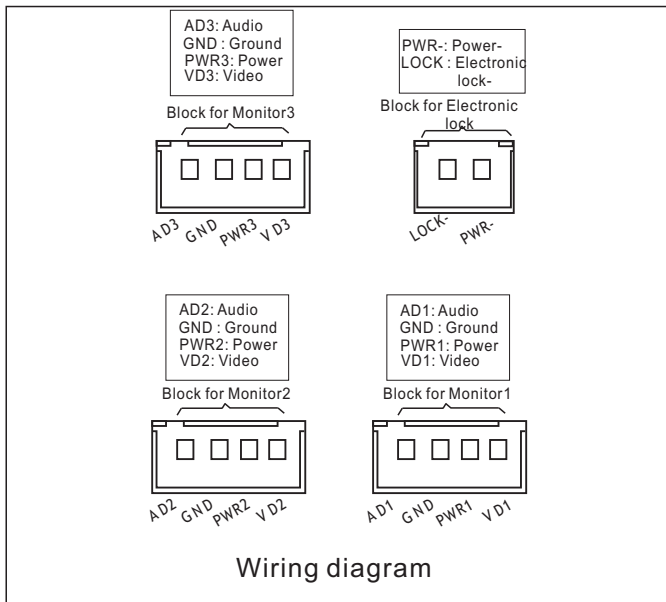
- Surface or Flush mounted options
- Aluminium Housing
- 1/4 inch color CCD Camera
- 56° viewing angle
- Infrared LED night vision
- Water-proof
- Dimension:185*92*41mm
- 420 TV lines
- 1Vp-p75Ω Video output
- Power voltage DC 12V
- Power consumption2W

DESCRIPTIONS OF DOORBELL(FRONT)

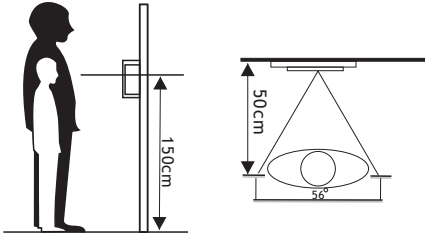


1. Metal braket
2. Infrared light
3. Camera
4. Speaker
5. Indicator light
6. Call button
7. Microphone

DESCRIPTIONS OF DOORBELL(REAR)

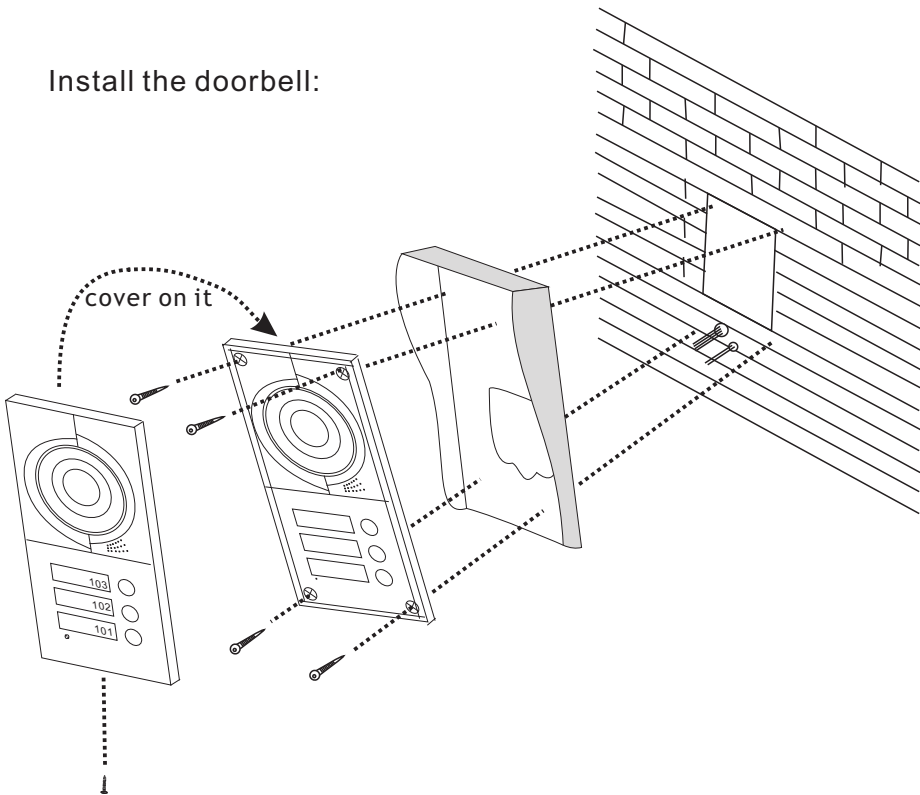


DOORBELL INSTALLATION



1. Please select the most suitable doorbell position, avoid direct sunshine to camera, dark surroundings, rain.
2. Determine doorbell installation height: suggest to be 1.5~1.6 meters.

Install the doorbell:



- Processes:**
1. Dig a hole at the suitable height on the wall.
 2. Disassemble the cover from the outdoor panel by screwing off the screw on the bottom.
 3. Make the cables go through the wall and the hole on the rain proof, and connecting the cable with the wires on the rear panel of the door bell.
 4. Fix the outdoor panel and water proof on the wall with the screws as the above pic.
 5. Put the cover onto the outdoor panel, and fix it with the screw on the bottom.